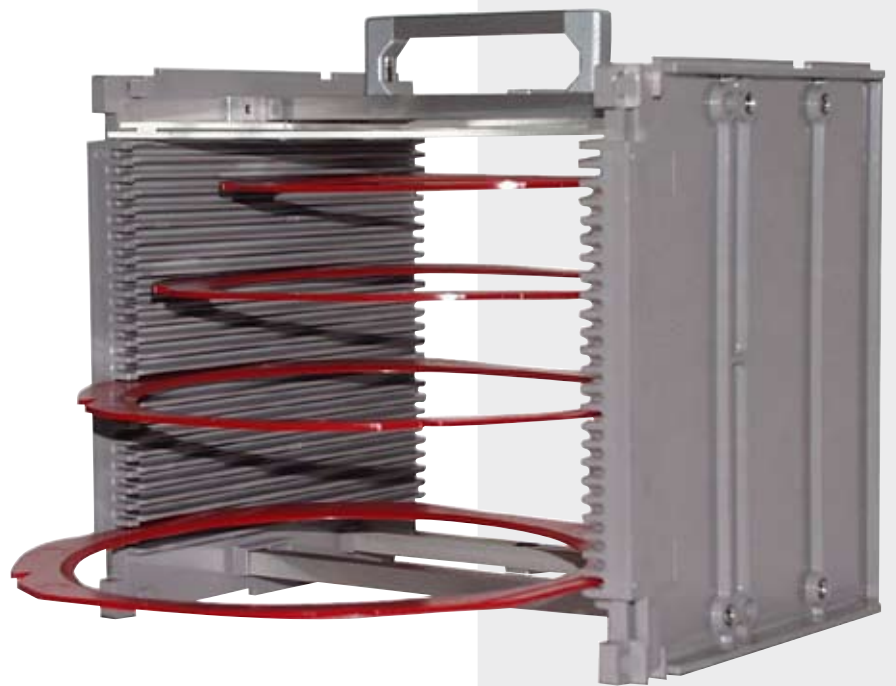


©

# microMag Wafer Frame Magazines



**minitron**  
elektronik gmbh

Manufacturing processes for semiconductors are synonyms for automation, efficiency, yield and productivity.

Automatic processing of waferbatches without manual interfering requires storage and handling in machine compatible magazine/cassette systems.

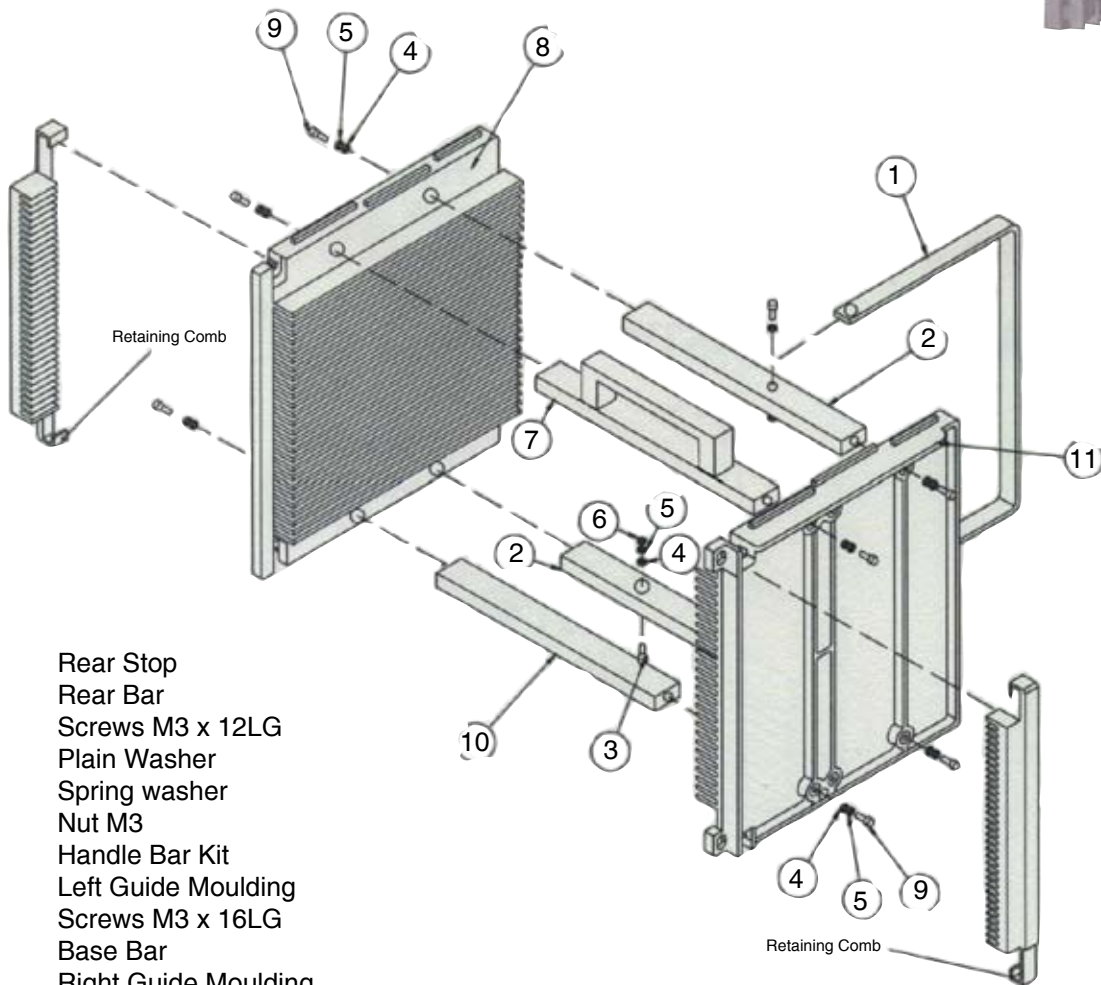
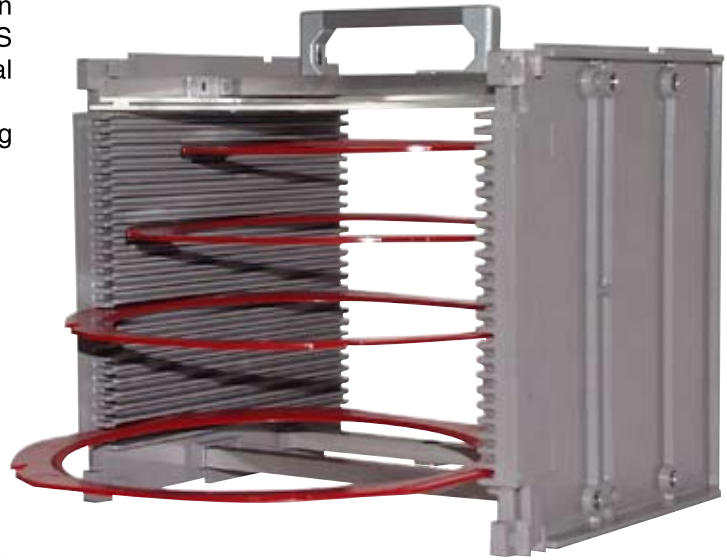
These magazines have to protect the substrates and provide secure transportation between the various process steps.

microMag is a magazine system for all waferframe sizes from 10mm (4") to 300mm (12"). They are available as a plastic (injection mold) construction.

## microMag Plastic Magazines

microMag **PM-Types** are magazines made of injection molded guidewalls and retaining combs in ABS connected with aluminium bars anodized in natural color. Pocket type protecting covers are optional. Application: low weight, economical storage/handling system

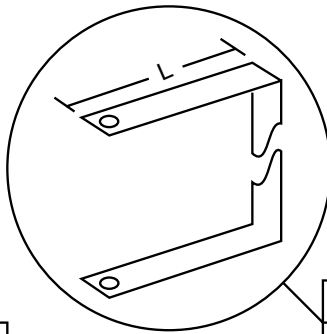
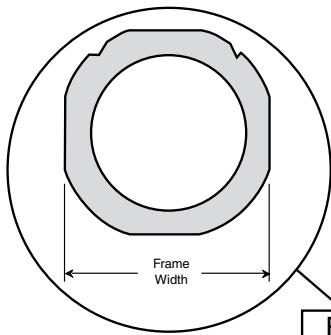
- sturdy, design of low weight
- antistatic
- stackable
- automatic frame retaining system



- 1: Rear Stop
- 2: Rear Bar
- 3: Screws M3 x 12LG
- 4: Plain Washer
- 5: Spring washer
- 6: Nut M3
- 7: Handle Bar Kit
- 8: Left Guide Moulding
- 9: Screws M3 x 16LG
- 10: Base Bar
- 11: Right Guide Moulding

# Plastic Magazines

## Part Number Structure:



	Frame Width (mm)
4"	168
5"	184
6"	195
6"	212
6"	216
8"	267
8"	276
12"	380

	Rear Stop (L)
<b>K</b>	<b>29 mm</b>
<b>E</b>	<b>45 mm</b>
<b>B</b>	<b>73 mm</b>
<b>C</b>	<b>77 mm</b>
J	20 mm
<b>F</b>	<b>128 mm</b>
<b>N</b>	<b>165 mm</b>
G	70 mm
H	68 mm
I	50 mm
O	none

**Type-Number:**

Plastic Mag.

P	M	X	XXX	X	X	X	X	X
---	---	---	-----	---	---	---	---	---

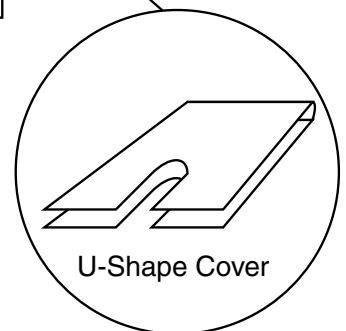
4	4"
5	5"
6	6"
8	8" (200 mm)
12	12"(300 mm)
Wafer Size	

Wall Type	
A	6" ABS
B	6" CON
<b>C</b>	<b>6" ANT</b>
E	8" ABS
F	8" CON
<b>G</b>	<b>8" ANT</b>
H	12" CON
I	12" ANT
J	6" CON

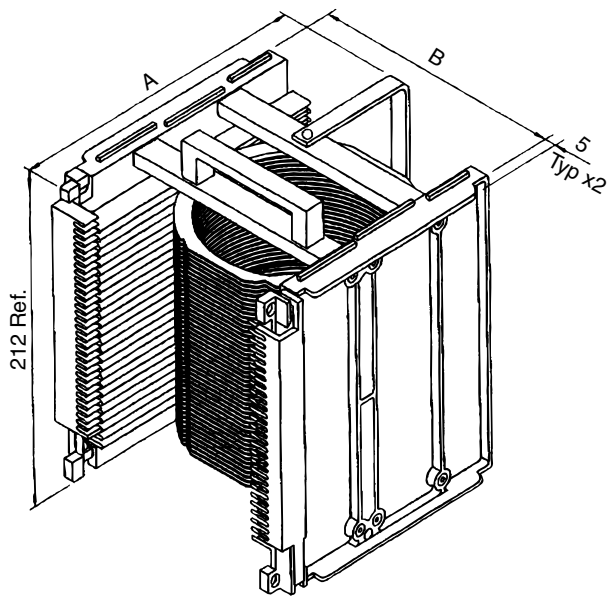
Cover	
B	Acryl
C	Acryl Antistatic
<b>O</b>	<b>none</b>

Handle	
<b>A</b>	<b>standard</b>
C	low profile
D	folding
O	none

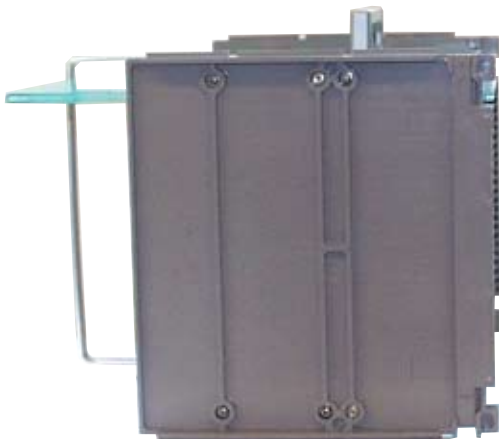
Gate	
<b>A</b>	<b>25 Slot metal Frame</b>
B	25 Slot plastic Frame
C	13 Slot metal Frame
O	none



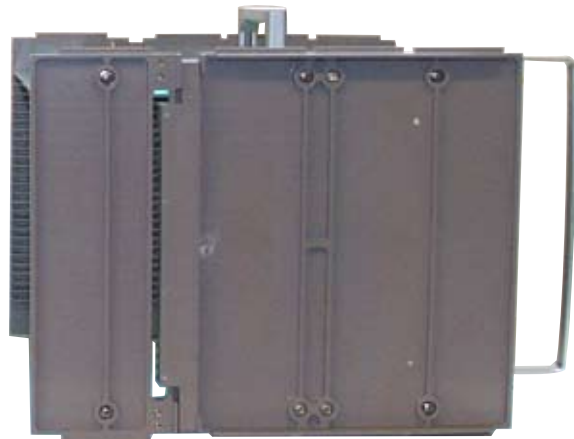
## Typical Magazine sizes [mm]



	DIM. "A"	DIM. "B"
PM4-168-CxxxK	188	190
PM5-184-CxxxJ	204	206
PM6-212-CxxxB	232	234
PM6-216-CxxxC	236	238
PM8-267-CxxxF	287	289
PM8-267-GxxxF	347	289
PM8-276-CxxxF	287	298
PM8-276-GxxxF	347	298
PM12-380-GxxxN	383	402



Wall Type 6"



Wall Type 8"

Three different wall sizes (length) are available for optimum wafer protection.

## Options:

Standard handle:  
for comfortable magazine handling. Low profile  
handle (24mm) available as option.



Gate:

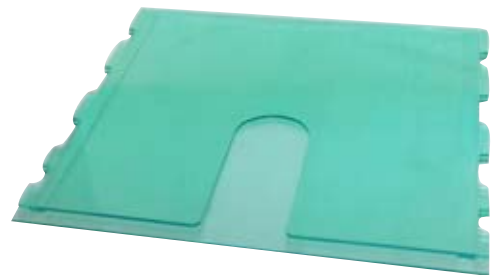
- prevents from loss of wafer frames during transport
- opens automatically when loaded into equipment

Available for:

- 25 Metal-Frames,
- 13 Metal-Frames
- 25 Plastic-Frames



Rear-Bar:  
Available in different depths, provides a secure  
back-stop.



Cover:  
Protects the magazine contents from  
contamination from above. Provides  
convenient storage for jobcards or  
batch tickets.







**minitron**

**elektronik gmbh**

Noerdl. Ringstr. 14

D-85057 Ingolstadt

Tel. 0841 / 82077

Fax 0841 / 84404

<http://www.minitron.com>

eMail: [info@minitron.com](mailto:info@minitron.com)